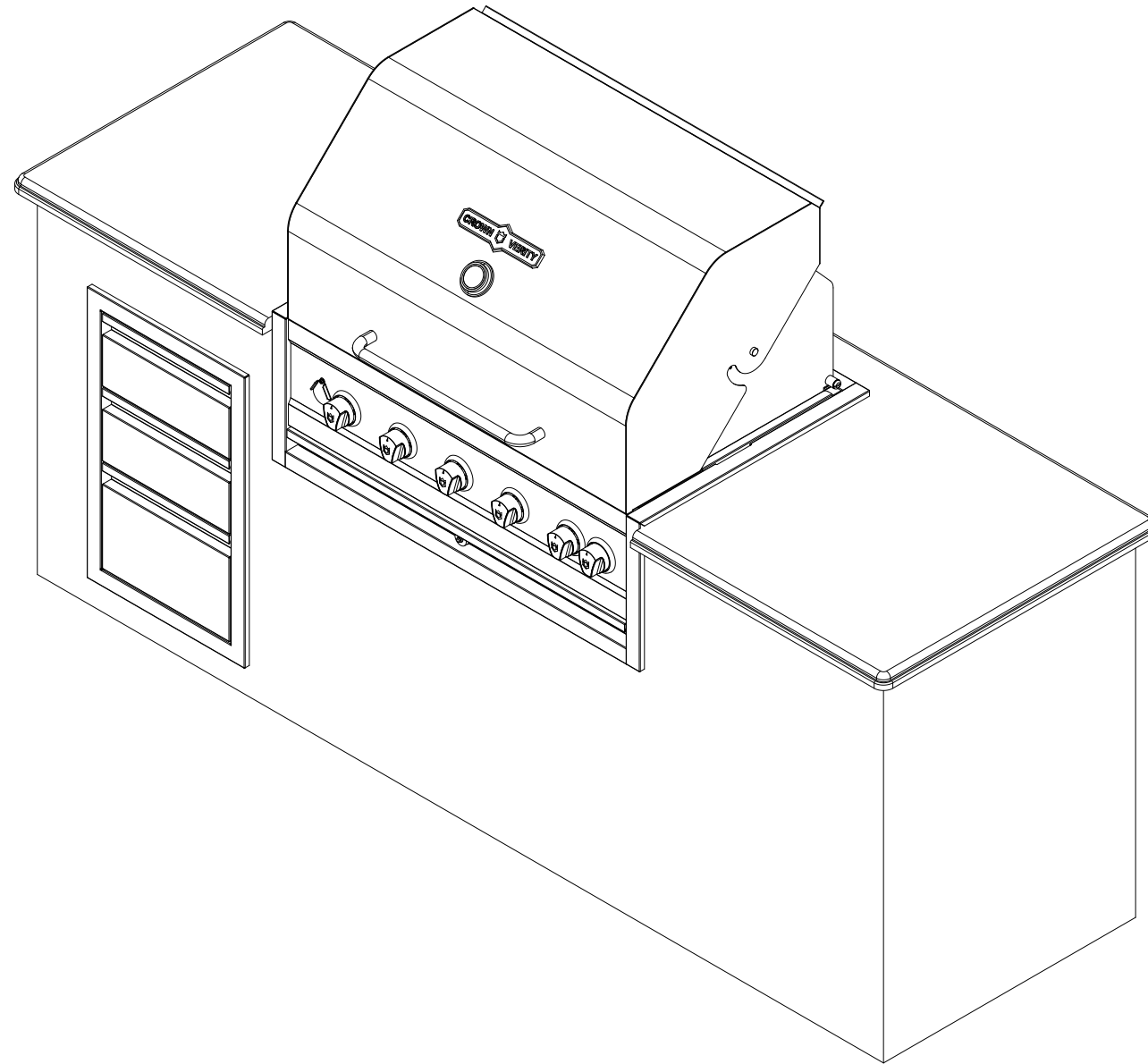


REVISION HISTORY			
REV	DESCRIPTION	DATE	APPROVED
-	Engineering Release	05/08/2019	Todd Stone

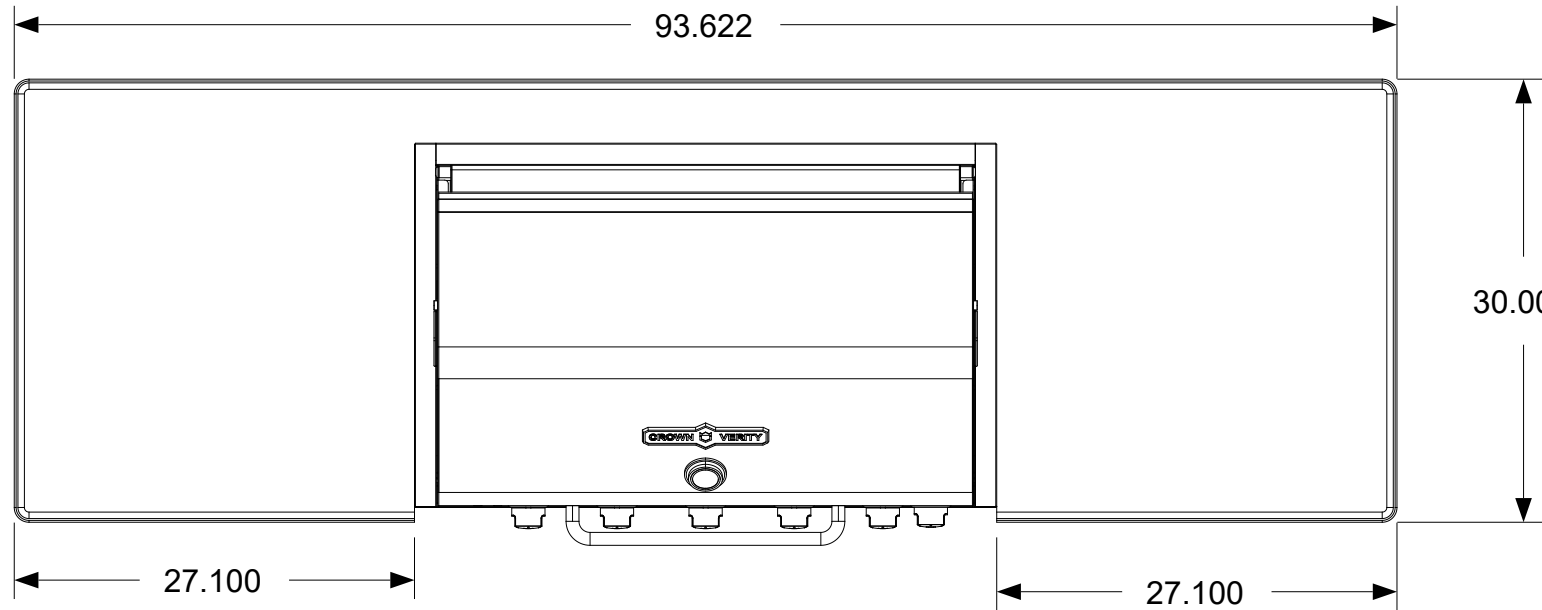


CROWN VERITY

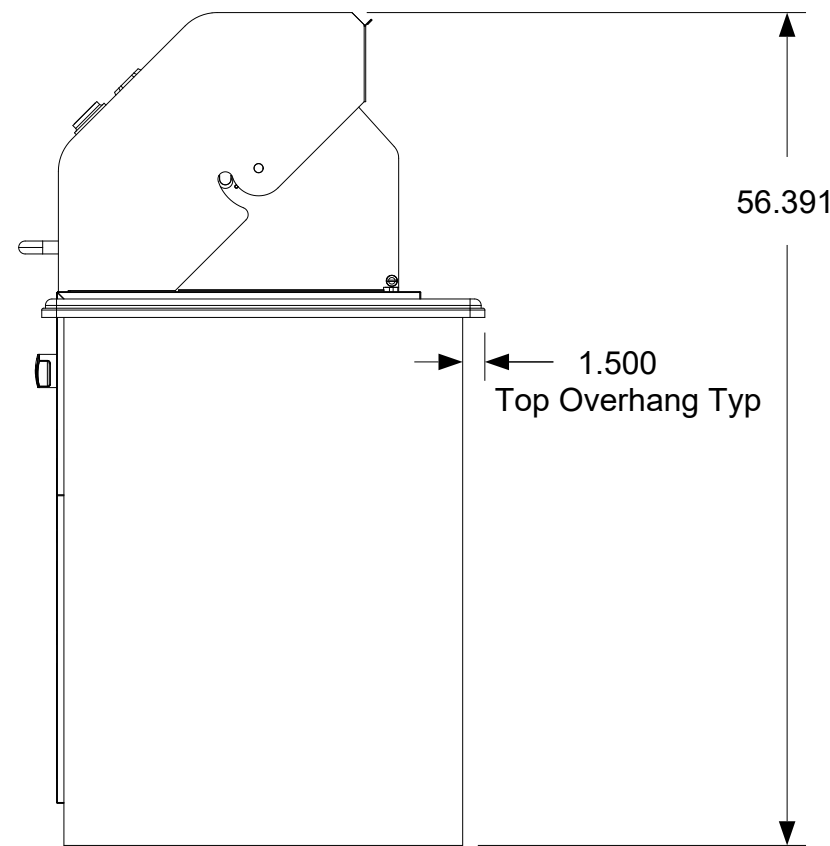
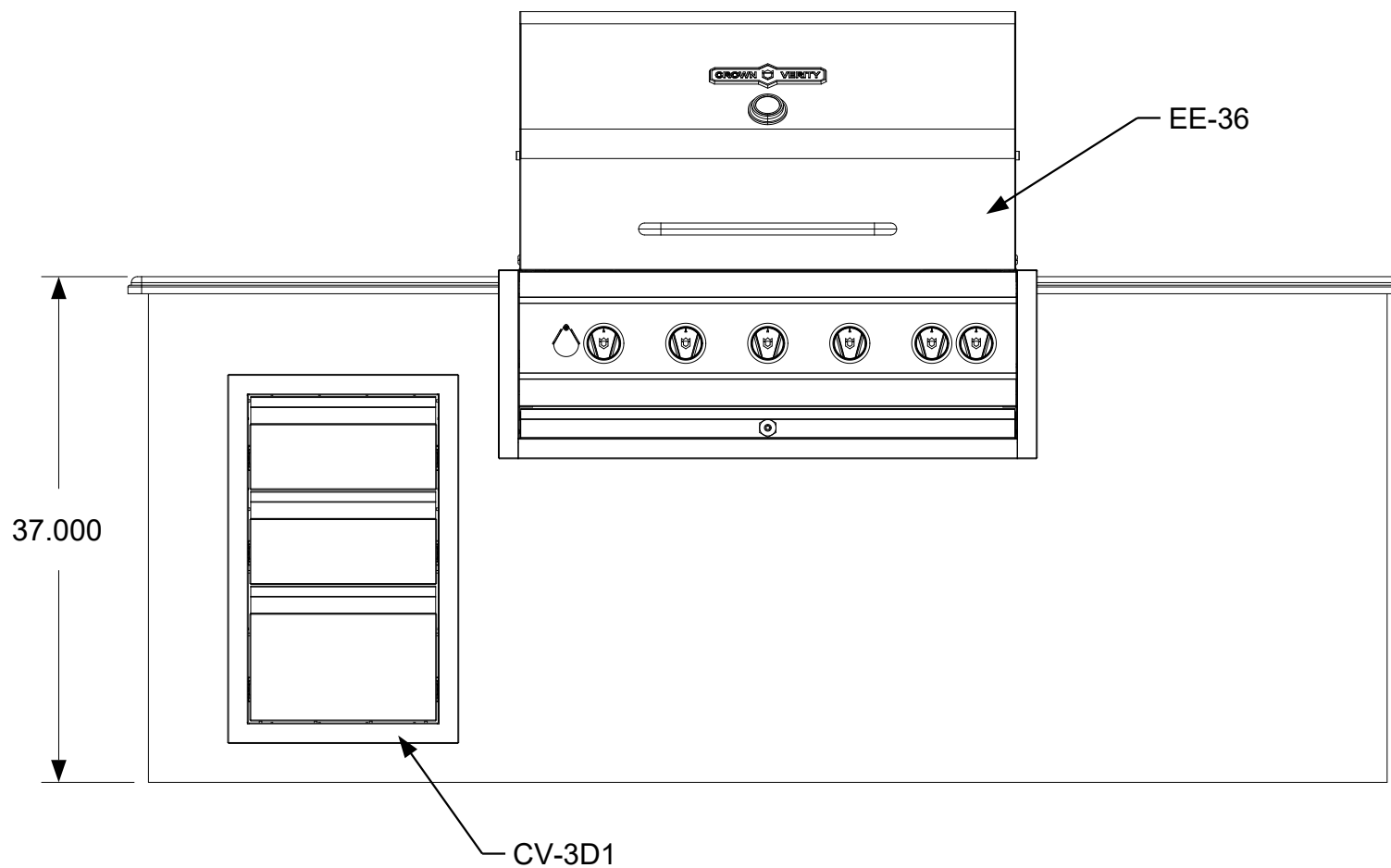
37 Adams Blvd., Brantford, Ontario, N3S 7V8
P: (519) 751-1800 www.crownverity.com

Gauge	N/A	Dimensions are in inches Linear Tolerance: +/- .015 Bend Tolerance: +/- .020 Angular Tolerance: +/- 0.5 Radial Tolerance: +/- .005
Weight (Kg)	N/A	
K Factor	N/A	
Finish	N/A	
Material	N/A	
DRAWN BY: Todd Stone		

TITLE			
Ultimate Bermuda Grill Concept B			
SIZE	Customer	DWG NO	REV
B	UGB	-	-
SCALE	1:13	05/08/2019	SHEET 1 of 3



REVISION HISTORY			
REV	DESCRIPTION	DATE	APPROVED
-	Engineering Release	05/08/2019	Todd Stone



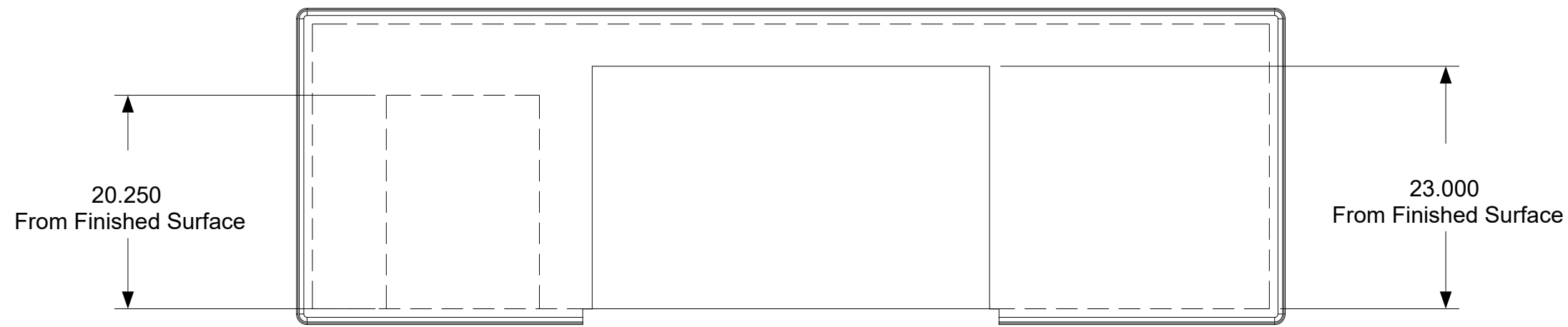
CROWN VERITY

37 Adams Blvd., Brantford, Ontario, N3S 7V8
P: (519) 751-1800 www.crownverity.com

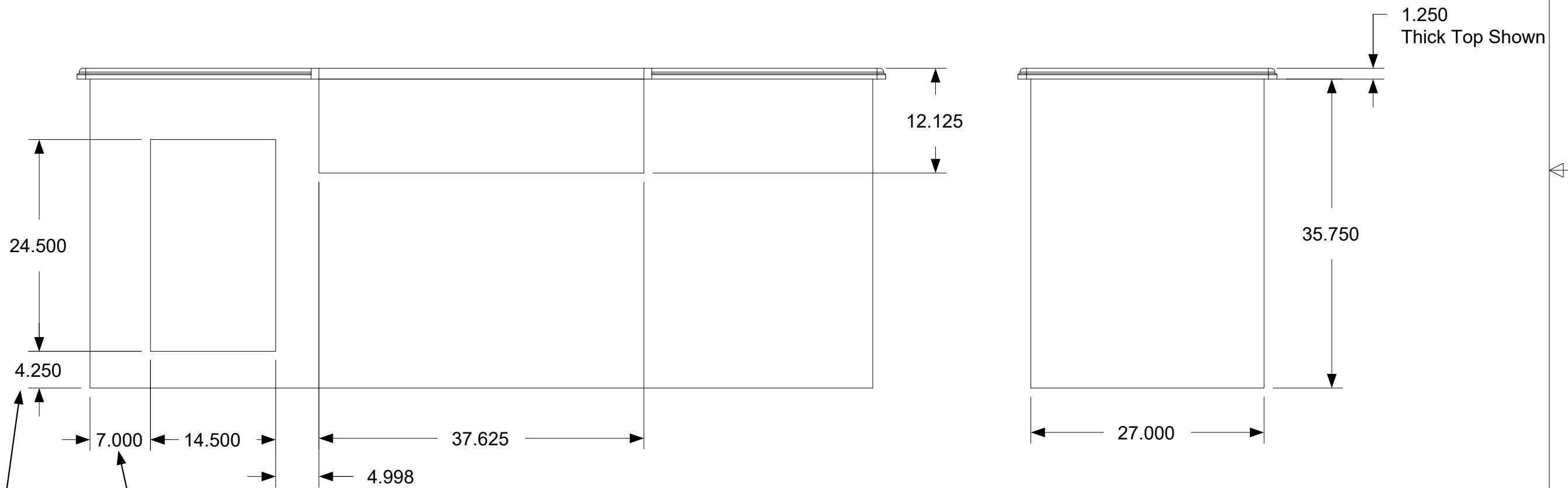
Gauge	N/A	Dimensions are in inches Linear Tolerance: +/- .015 Bend Tolerance: +/- .020 Angular Tolerance: +/- 0.5 Radial Tolerance: +/- .005
Weight (Kg)	N/A	
K Factor	N/A	
Finish	N/A	
Material	N/A	
DRAWN BY: Todd Stone		

TITLE			
Ultimate Bermuda Grill Concept B			
SIZE	Customer	DWG NO	REV
B	UGB	-	-
SCALE	1:13	05/08/2019	SHEET 2 of 3

REVISION HISTORY			
REV	DESCRIPTION	DATE	APPROVED
-	Engineering Release	05/08/2019	Todd Stone



Cut-out dimensions assume .250 inch clearances for built-in components. All other dimensions are for reference only as construction materials will vary.



This dimensions allows for 2x4 construction with a .750 inch deck

This dimension allows for 2x4 construction with .750 inch siding. Minimum spacing between cut-outs is 3 inches.

This dimension allows for 2x4 construction with .750 inch siding. It also allows for a stone surface treatment

CROWN VERITY

37 Adams Blvd., Brantford, Ontario, N3S 7V8
P: (519) 751-1800 www.crownverity.com

TITLE
Ultimate Bermuda Grill Concept B

SIZE B	Customer UGB	DWG NO -	REV -
-----------	-----------------	-------------	----------

DRAWN BY: **Todd Stone** SCALE 1:13 05/08/2019 SHEET 3 of 3

Gauge	N/A	Dimensions are in inches Linear Tolerance: +/- .015 Bend Tolerance: +/- .020 Angular Tolerance: +/- 0.5 Radial Tolerance: +/- .005
Weight (Kg)	N/A	
K Factor	N/A	
Finish	N/A	
Material	N/A	